

## STRAIGHT BALL GAS VALVE

Project Name: \_\_\_\_\_  
 Easyflex Rep: \_\_\_\_\_  
 Engineer: \_\_\_\_\_  
 Contractor: \_\_\_\_\_

Part # Ordered: \_\_\_\_\_  
 Submitted By: \_\_\_\_\_  
 Approved By: \_\_\_\_\_  
 Date Submitted: \_\_\_\_\_

### PRODUCT DESCRIPTION

Easyflex straight gas ball valves are fitted with a lever handle for easy operation and are made from forged brass. They have a maximum working pressure of 250 psi and a temperature range of -4°F to 149°F. The connection type is FIP x FIP (Female NPT x Female NPT).

- Forged brass body
- Thread conforms to ANSI B1.20.1
- Blow out-proof brass stem design
- Packing nut and o-ring

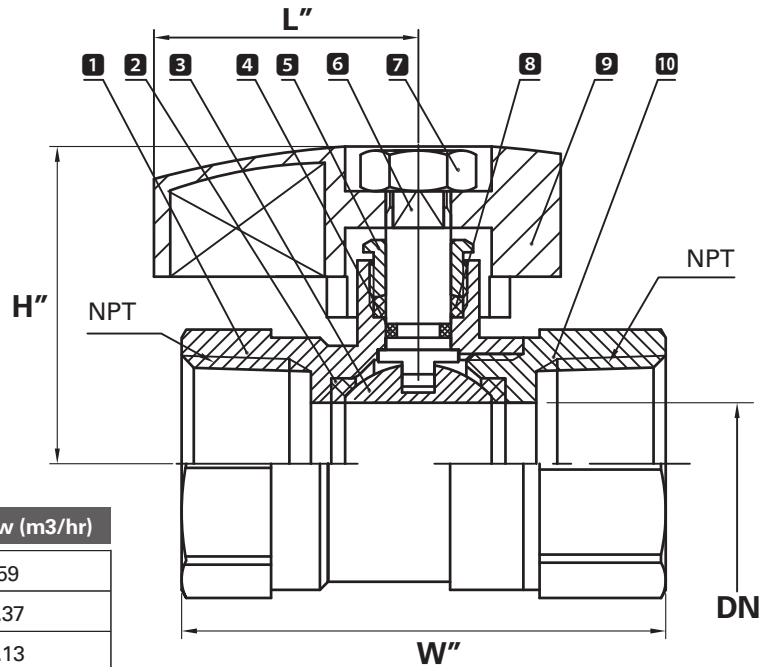


PART #	SIZE	DESCRIPTION
<input type="checkbox"/> GV-012	1/2" FIP x 1/2" FIP	Forged brass straight gas ball valve w/red handle
<input type="checkbox"/> GV-034	3/4" FIP x 3/4" FIP	Forged brass straight gas ball valve w/red handle
<input type="checkbox"/> GV-100	1" FIP x 1" FIP	Forged brass straight gas ball valve w/red handle

### MATERIALS

Part # & Name	Material
1 Body	Brass
2 Seat	PTFE
3 Ball	Brass
4 O-Ring	Nitrile Rubber (NBR)
5 Packing Nut	Brass
6 Stem	Brass
7 Handle Nut	Plated Steel
8 Packing	PTFE
9 Handle	AL-alloy
10 Cap	Brass

Part #	Size	DN	L	W	H	Gas Flow (m3/hr)
GV-012	1/2"	0.394	1.28"	2.204"	1.437"	4.59
GV-034	3/4"	0.591	1.28"	2.362"	1.535"	12.37
GV-100	1"	0.748	1.28"	2.874"	1.721"	21.13



### CERTIFICATIONS & APPROVALS



**CSA:** 3/8"-1" Per ANSI Z21.15/CSA 9.1 for 1/2 psig  
 3/8"-1" Per ASME B16.44 /CR91-002 for 5 psig  
 1/2"-1" Per ASME B16.33 /CGA3.16 for 125 psig

**UL:** UL 842  
 UL 125  
 UL 1477