

3/4" TANKLESS WATER HEATER SERVICE VALVE SET

Model# EFLF-ISV-HC



Features & Benefits

- Full port valve for minimum flow restriction
- Compact valve size suitable for most tankless water heaters
- Heavy-duty, lead-free forged brass body (600 WOG)
- Integrated drain valve for quick system maintenance
- Color-coded levers for easy and quick system identification
- Double "O" ring stem seal

Material Breakdown

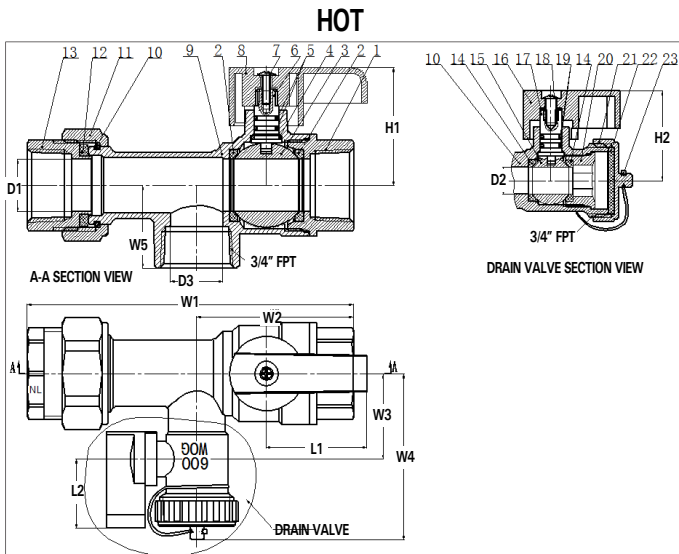
Body	Heavy-Duty 600 WOG Rated Brass UNS C46500 (ASTM B171)
Ball	Stainless Steel
Seats	High Grade PTFE
Cap Gasket	EPDM

Specifications

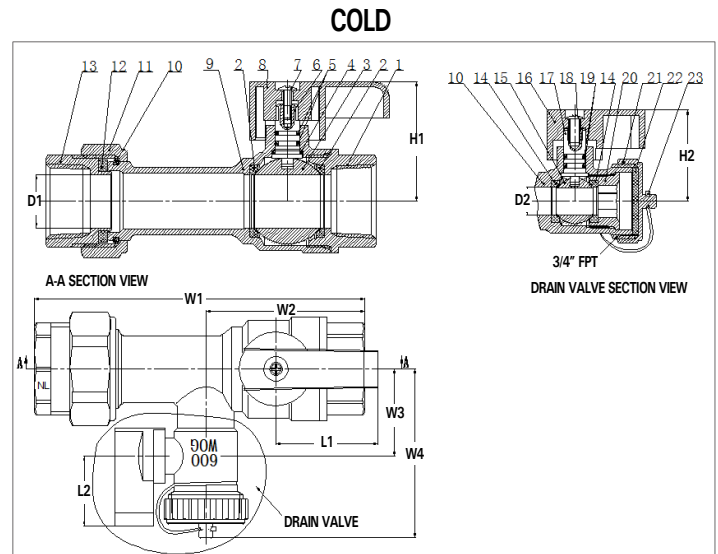
Max. Working Temperature	40°F - 180°F
Max. Working Pressure	125 psi

Certifications & Approvals

- IAPMO Approved and Tested
- NSF 61 Compliant
- NSF 372 Compliant : Lead Free



DIM SIZE	ØD1	ØD2	ØD3	H1	H2	W1	W2	W3	W4	W5	L1	L2
3/4"	0.748	0.394	0.748	1.693	1.283	4.646	2.236	1.220	2.362	1.181	1.437	0.984
1"	0.984	0.394	0.748	2.039	1.283	5.433	2.776	1.417	2.559	1.240	2.165	0.984



DIM SIZE	ØD1	ØD2	H1	H2	W1	W2	W3	W4	L1	L2
3/4"	0.748	0.394	1.693	1.283	4.646	2.236	1.220	2.362	1.437	0.984
1"	0.984	0.394	2.039	1.283	5.433	2.776	1.417	2.559	2.165	0.984

