

TECHNICAL SPECIFICATIONS



**ULTRA PERFORMANCE
BRAIDED FLEXIBLE SPRINKLER CONNECTION**

Easyflex Ultra Performance Braided Flex Drops are designed to optimize installation efficiency and hydraulic performance. Available in 2'-6' lengths with a front-loading bracket for suspended and hard-lid ceilings, the UP series delivers lower friction loss than NPS 1 Schedule 40 pipe. Improved flow allows many AHJs to approve tenant improvements without hydraulic calculations. It is ideal for systems with limited pressure and for downsizing the main pipe in new construction, reducing overall job costs while optimizing system performance.



Applicable Standards and Compliance

National Fire Protection Association (NFPA):

- NFPA 13: Standard for installation of sprinkler systems
- NFPA 13D: Standard for the installation of sprinkler systems in one and two-family dwellings and manufactured homes
- NFPA 13R: Standard for installation of sprinkler systems in residential occupancies up to and including four stories in height
- NFPA 13 Section 17.4.1.3.3.3: Hangers are not required for flexible connections as long as the length does not exceed 6 ft.

American Society of Testing and Methods (ASTM):

- ASTM C635: Standard specifications for the manufacture, performance, and testing of metal suspension systems for acoustical tile and lay-in panel ceilings
- ASTM C636: Standard practice for installation of metal ceiling suspension systems for acoustical tile and lay-in panels

Factory Mutual (FM), FM Class No. 1637:

- Approved standard for flexible sprinkler hose with threaded end fittings

Underwriters Laboratories, Inc. (UL), UL 2443:

- Standard for flexible sprinkler hose with fittings for fire protection service

IBC-ASCE/ SEI 7

- Flexible sprinkler connections are the alternative solution to install without seismic escutcheons (Oops Ring)

Buy American Act (BAA) Compliant

- Manufactured in Korea

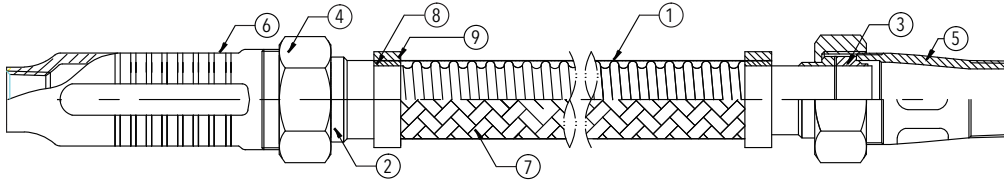
Job Name:	Engineer/Architect:
Job Location:	Wholesaler:
Submittal Date:	Contractor:



TECHNICAL SPECIFICATIONS



BRAIDED FLEXIBLE HOSE Ultra Performance 1-1/4" Flex Drop



- 1. Tube
- 2. Isolation Ring
- 3. Sealing Gasket
- 4. Nut
- 5. Nipple (1")
- 6. Reducer
- 7. Braid
- 8. Press Ring (Inner)
- 9. Press Ring (Outer)

SPECIFICATIONS

Flex Hose ID	1-1/4"
Hose Type	Braided
Lengths Available	24", 36", 48", 60", and 72"
Connection	Inlet 1"NPT
	Outlet 1/2" or 3/4"NPT
Minimum Bend Radius	2.5"
	DO NOT bend within 2.52" from connection nuts
Maximum K-Factor	1/2" K8.0
	3/4" K14.0

Max. Ambient Temperature Rating	300°F
Max. Working Pressure Rating	300 psig
Hose	Stainless Steel 304
Nut & Nipple	Zinc-Plated Steel
Sealing Gasket	Silicon
Isolation Ring	Nylon 66 + GF 30%

* Intended system type: wet, deluge, pre-action and dry.
 Intended for direct connection to fire sprinklers.
 No hangers and seismic escutcheons required.

FRICITION LOSS DATA

EFB UP Series Braided Hose OGSB-02, OTBSL-PA, OHCB-PA, and OWMSB-PA Bracket Systems



Length (in.)	Outlet Connection	Max. Number of 90° Bends	Equivalent Length of 1 in. Schedule 40 Pipe, ft.
24"	1/2"	2	3
	3/4"	2	10
36"	1/2"	5	12
	3/4"	5	22
48"	1/2"	8	19
	3/4"	8	34
60"	1/2"	10	26
	3/4"	10	40
72"	1/2"	12	37
	3/4"	12	46

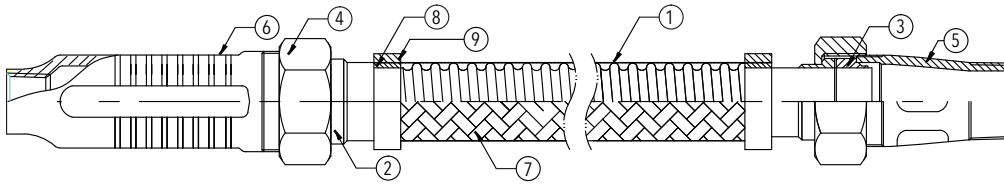
• UL: 2.5" minimum bend radius, where C = 120
 FlexibilityType: Limited



TECHNICAL SPECIFICATIONS



BRAIDED FLEXIBLE HOSE Ultra Performance 1-1/4" Flex Drop



1. Tube
2. Isolation Ring
3. Sealing Gasket
4. Nut
5. Nipple (1")
6. Reducer
7. Braid
8. Press Ring (Inner)
9. Press Ring (Outer)

SPECIFICATIONS

Flex Hose ID	1-1/4"
Hose Type	Braided
Lengths Available	24", 36", 48", 60", and 72"
Connection	Inlet 1"NPT or 1-1/4" Grooved
	Outlet 1/2" or 3/4"NPT
Minimum Bend Radius	6.5"
	DO NOT bend within 2.52" from connection nuts
Maximum K-Factor	1/2" K8.0
	3/4" K14.0

Max. Ambient Temperature Rating	225°F
Max. Working Pressure Rating	225 psig
Hose	Stainless Steel 304
Nut & Nipple	Zinc-Plated Steel
Sealing Gasket	Silicon
Isolation Ring	Nylon 66 + GF 30%

*No Hangers and seismic escutcheons required

FRICITION LOSS DATA

EFB UP Series Braided Hose OGSB-02, OTBSL-PA-24, OTBS-PA-24, OTBSS-PA-24, OWMSB-PA, OHCB-PA, OSSBW, and OSSBJ Bracket Systems



Length (in.)	Outlet Connection (Straight)	K-Factor	Max. Number of 90° Bends	Equivalent Length of 1 in. Schedule 40 Pipe, ft.
24"	1/2"	5.6 / 8.0	2	2.1 / 3.6
	3/4"	8.0 / 14.0	2	3.6 / 3.8
36"	1/2"	5.6 / 8.0	4	4.5 / 5.1
	3/4"	8.0 / 14.0	4	6.0 / 6.0
48"	1/2"	5.6 / 8.0	4	6.9 / 6.6
	3/4"	8.0 / 14.0	4	8.4 / 8.3
60"	1/2"	5.6 / 8.0	4	9.4 / 8.1
	3/4"	8.0 / 14.0	4	10.9 / 10.6
72"	1/2"	5.6 / 8.0	4	11.9 / 9.7
	3/4"	8.0 / 14.0	4	13.4 / 12.9

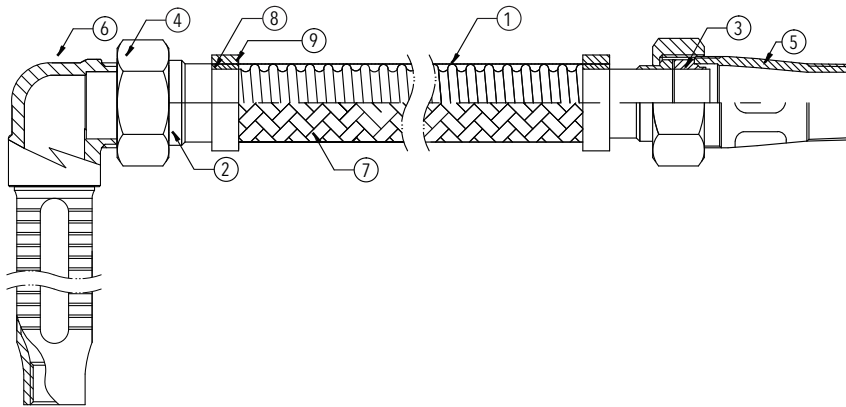
• FM: 6.5" minimum bend radius, where C=120



TECHNICAL SPECIFICATIONS



BRAIDED FLEXIBLE HOSE Ultra Performance 1-1/4" Flex Drop



1. Tube
2. Isolation Ring
3. Sealing Gasket
4. Nut
5. Nipple (1")
6. Elbow Reducer
7. Braid
8. Press Ring (Inner)
9. Press Ring (Outer)

SPECIFICATIONS

Flex Hose ID	1-1/4"
Hose Type	Braided
Lengths Available	24", 36", 48", 60", and 72"
Connection	Inlet 1"NPT or 1-1/4" Grooved
	Outlet 1/2" or 3/4"NPT
Minimum Bend Radius	6.5"
	DO NOT bend within 2.52" from connection nuts
Maximum K-Factor	1/2" K8.0
	3/4" K14.0

Max. Ambient Temperature Rating	225°F
Max. Working Pressure Rating	225 psig
Hose	Stainless Steel 304
Nut & Nipple	Zinc-Plated Steel
Sealing Gasket	Silicon
Isolation Ring	Nylon 66 + GF 30%

*No Hangers and seismic escutcheons required

FRICITION LOSS DATA

EFB UP Series Braided Hose OGSB-02, OTBSL-PA-24, OTBS-PA-24, OTBSS-PA-24, OWMSB-PA, OHCB-PA, OSSBW, and OSSBJ Bracket Systems

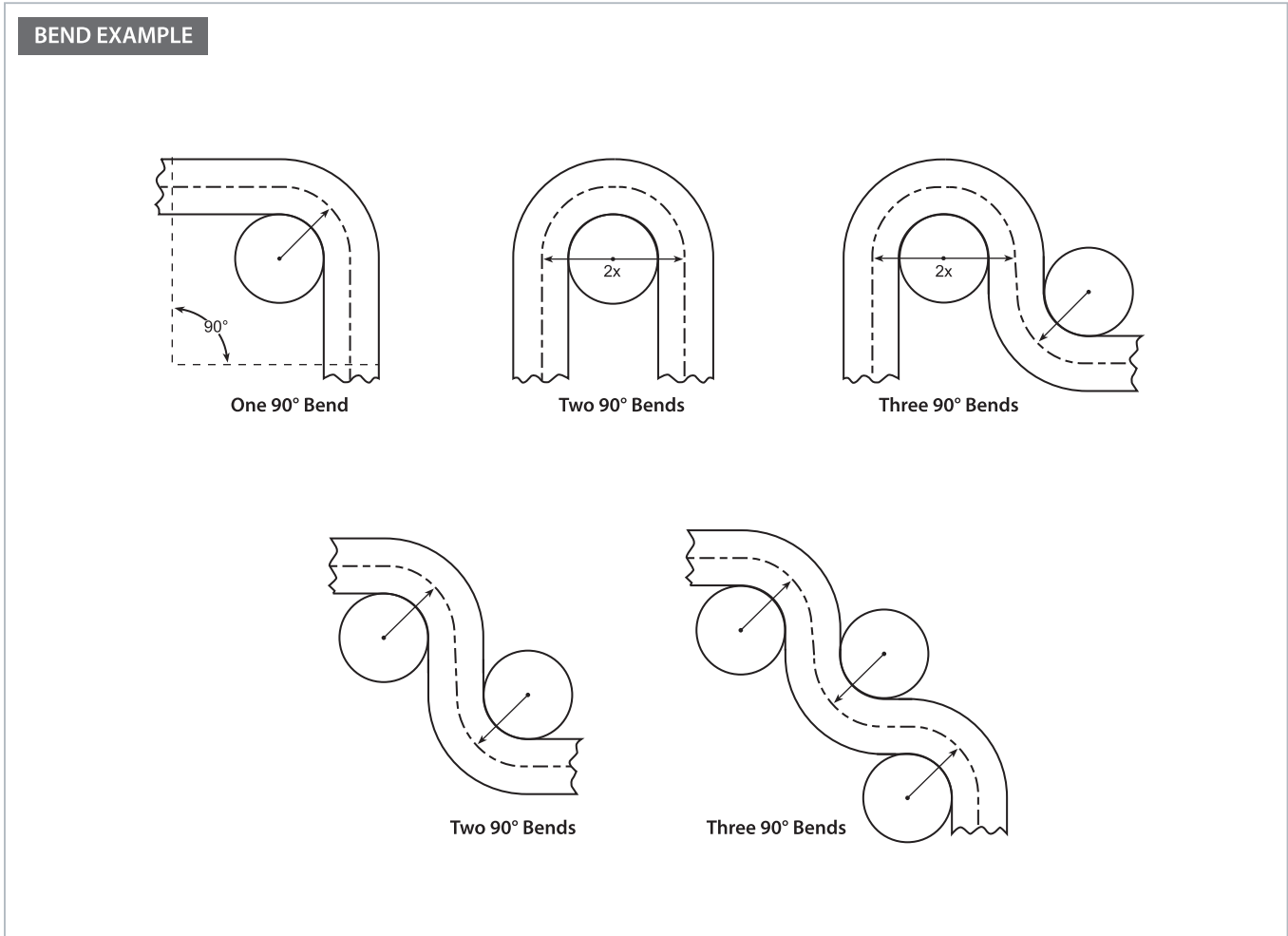


Length (in.)	Outlet Connection (with 90° Elbow)	K-Factor	Max. Number of 90° Bends	Equivalent Length of 1 in. Schedule 40 Pipe, ft
24"	1/2"	5.6 / 8.0	2	7.9 / 7.9
	3/4"	8.0 / 14.0	2	8.8 / 8.5
36"	1/2"	5.6 / 8.0	4	9.9 / 9.9
	3/4"	8.0 / 14.0	4	10.6 / 10.8
48"	1/2"	5.6 / 8.0	4	11.9 / 11.9
	3/4"	8.0 / 14.0	4	12.4 / 13.2
60"	1/2"	5.6 / 8.0	4	13.9 / 14
	3/4"	8.0 / 14.0	4	14.3 / 15.5
72"	1/2"	5.6 / 8.0	4	16 / 16.1
	3/4"	8.0 / 14.0	4	16.2 / 17.9

• FM: 6.5" minimum bend radius, where C = 120



BEND CHARACTERISTICS



A higher number of bends may be permitted, provided the sum of degrees is equal to or less than the total maximum allowable degrees of bend (e.g. Two 90° bends equal 180°. Three 90° bends equal 270°)

EXAMPLE: A 48 in. hose installed with two 30° bends and two 90° bends at 4 in. bend radius is permitted and considered equivalent to the data shown above. In this example, the total number of degrees is 240°, which is less than the allowable 270°.